

RADIAL FANS

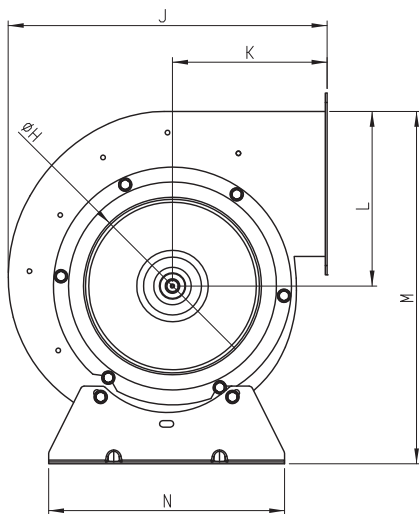
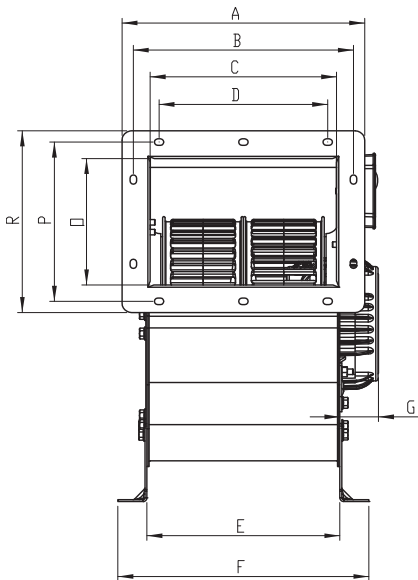


OÇES

AC CENTRIFUGAL BLOWERS Double Inlet

OÇES fan's compact structure benefits space saving for various cooling and ventilation applications.

Technical Drawings



MATERIAL

: Housing is made of electrostatic powder coated sheet metal, forward curved impeller is made of galvanized sheet metal.

INSULATION CLASS

: Class B

DIRECTIVE

: EN 60335-1, EN 60335-2-80

SPEED CONTROL

: Speed can be adjusted using an optional controller.

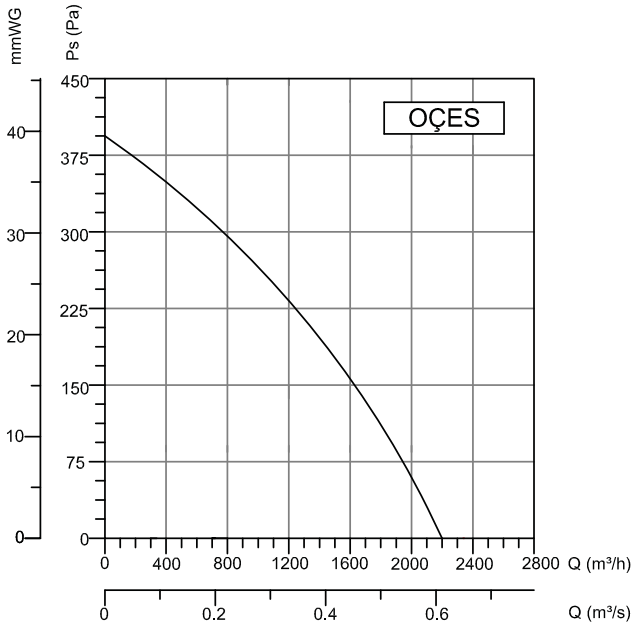
APPLICATION AREAS

: Factories, depots, dyehouses, shopping centers, plastic and packaging machines etc high volumed areas to be vented.

TYPE	VOLTAGE V	FREQUENCY Hz	POWER W	CURRENT (A)	CAPACITOR (μ F)	SPEED d/d	AIR FLOW m ³ /h	SOUND PRESSURE LEVEL dB(A)	WEIGHT kg
OÇES	230	50	400	1,8	10	1250	2200	60	10,3

TYPE	A	B	C	D	E	F	G	H	J	K	L	M	N	O	P	R
OÇES	258	234	197	180	210	269	41	190	339	160	189	396	252	133	169	194

Dimensions are in (mm)



Accessories



BSC



DUCT FANS

ROOF FANS

AXIAL FANS

RADIAL FANS

PLASTIC FANS

VENTILATORS

SMOKE EXHAUST SYSTEMS

ACCESSORIES