

# PLASTIC FANS

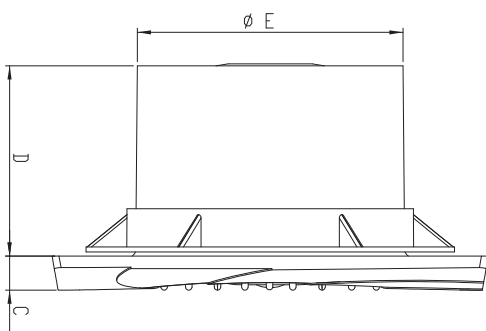
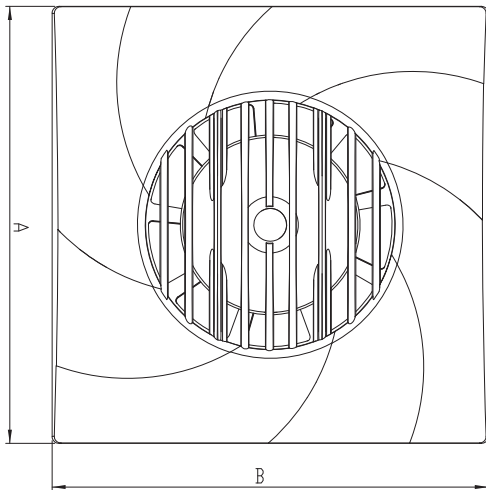


## EF

### AC PLASTIC DOMESTIC FANS Decorative

The front panel is thin and tight, so that it is mounted solid. Silent and strong against corrosion. Motor's life is long through environmental factors.

#### Technical Drawings



#### MATERIAL

: ABS plastic material. Impeller's design and dynamic balance provides a high air performance and silence. Thanks to it's special surface, never shine and change it's color.

#### INSULATION CLASS

: Class B

#### DIRECTIVE

: EN 60335-1, EN 60335-2-80

#### SPEED CONTROL

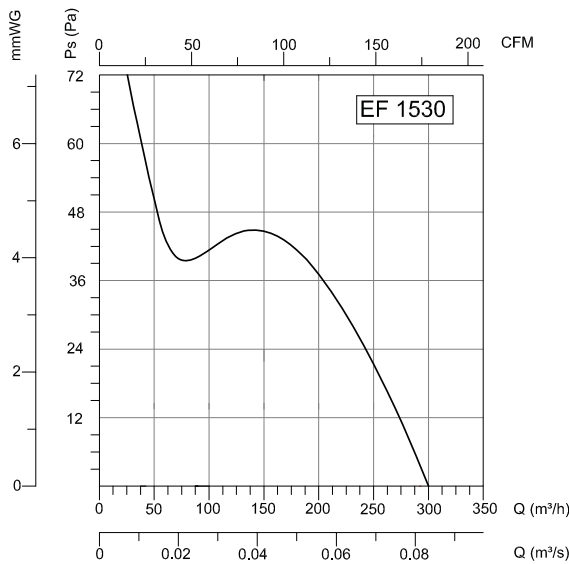
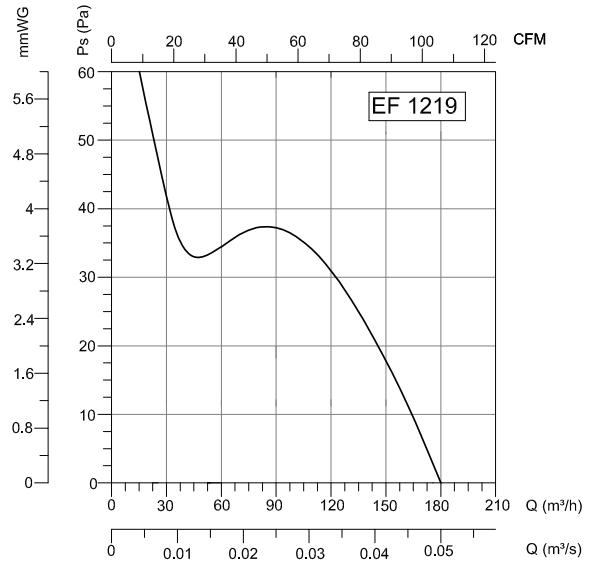
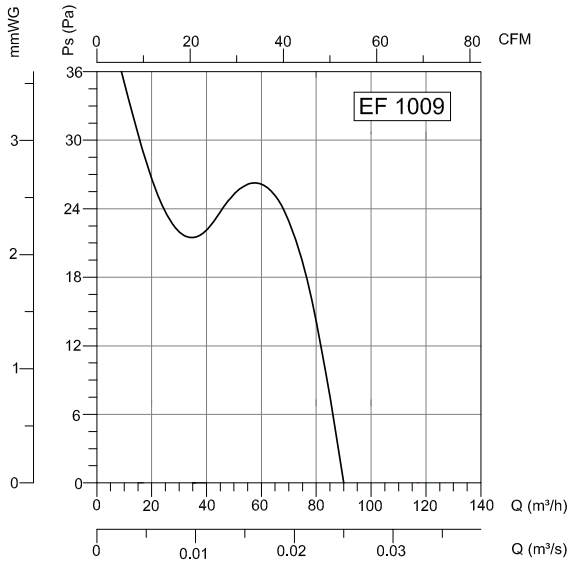
: Speed can be adjusted using an optional controller.

#### APPLICATION AREAS

: Bathrooms, kitchens, meeting rooms, offices etc. areas where silence and strength against corrosion is asked.

TYPE	A	B	C	D	E
EF 1009	160	160	12	70	97.5
EF 1219	188	188	14	76	118
EF 1530	208	208	14	118	145

Dimensions are in (mm)



TYPE	VOLTAGE	FREQUENCY	POWER	CURRENT	SPEED	AIR FLOW	SOUND PRESSURE LEVEL	WEIGHT
	V	Hz	W	(A)	d/d	m³/h	dB(A)	kg
EF 1009	230	50	14	0,1	2600	90	47	0.5
EF 1219	230	50	17	0,1	2300	190	45	0.55
EF 1530	230	50	25	0,1	2150	300	48	0.71

DUCT FANS

ROOF FANS

AXIAL FANS

RADIAL FANS

PLASTIC FANS

VENTILATORS

SMOKE EXHAUST SYSTEMS

ACCESSORIES